

## Magnetic door seal for internal doors

Aluminum floor profiles with continuously rising magnetic threshold and magnetic counter profile for fitting at the lower door leaf edge e. g. in the hotel, hospital, residential for the elderly or private home

### features

- 20-year warranty on the magnetic force
- Easy installation, no vulnerable mechanics.
- Material separation rail not required
- Automatic adaption to the door leaf, hence not affected by uneven flooring
- Optimum sealing effect, smokeproof according to DIN 18095  
Sound insulation DIN 52210 residual value 46 db
- Bridging of door cracks up to 16 mm

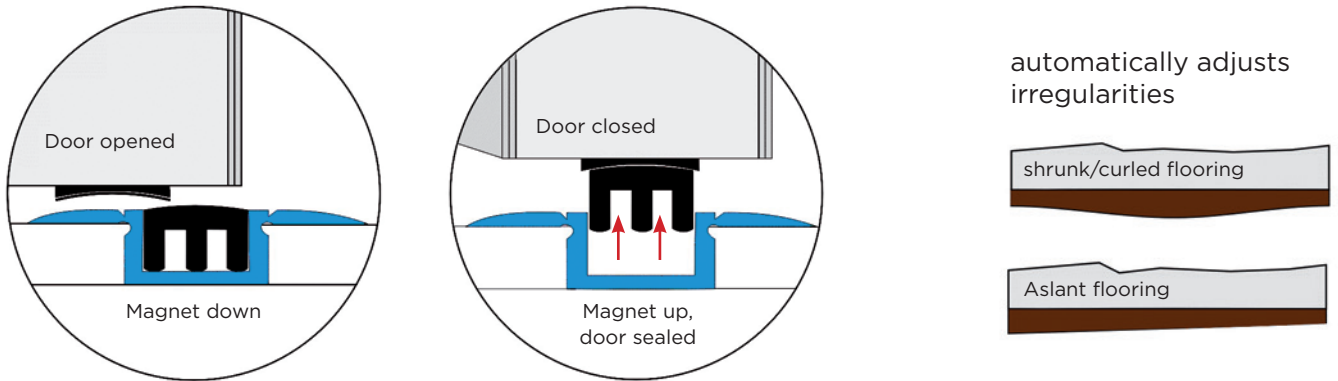
March 2020 · subject to technical change

# MAGNETIC DOOR SEAL

Aluminum floor profiles with continuously rising magnetic threshold and magnetic counter profile for fitting at the lower door leaf edge. Grooving is not required.

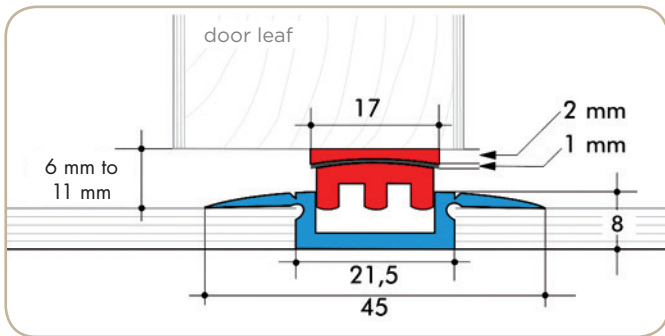
- |                                     |                                    |   |
|-------------------------------------|------------------------------------|---|
| <b>COLD STOP</b><br>stops draft air | <b>NOISE STOP</b><br>reduces sound | <b>SMOKE STOP</b><br>keeps escape routes free |
|-------------------------------------|------------------------------------|---|

## FUNCTIONAL PRINCIPLE OF THE ALUMAT MAGNETIC DOOR THRESHOLDS

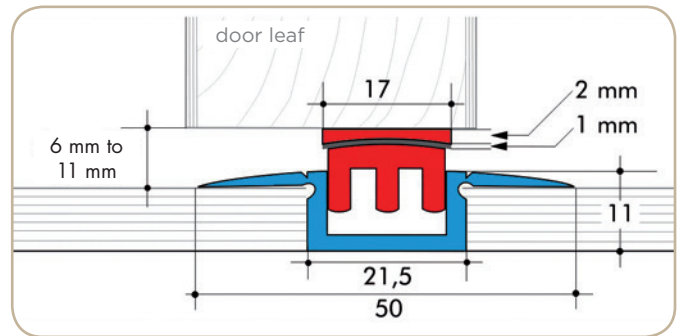


## UNIVERSAL ALUMINUM FLOOR PROFILES

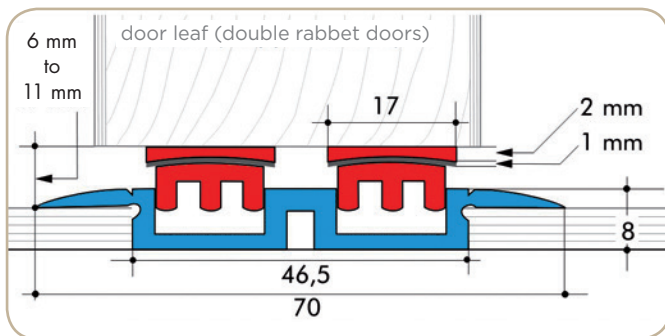
Lugs with predetermined breaking notch for removal (for installation examples see installation instructions)



**Model MTK 3**  
Starting from approx. 3 mm flooring / Magnetic force between upper and lower magnet profile (max. 5 mm)



**Model MTK 6**  
starting from approx. 3 mm flooring / Magnetic force between upper and lower magnet profile (max. 5 mm)

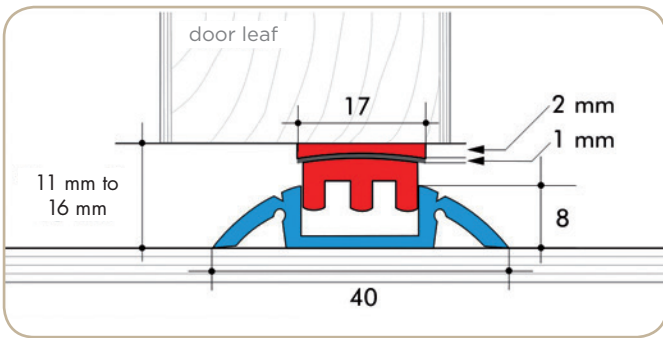


**Model MTK 32 for double rabbet doors**  
starting from approx. 3 mm flooring / Magnetic force between upper and lower magnet profile (max. 5 mm)

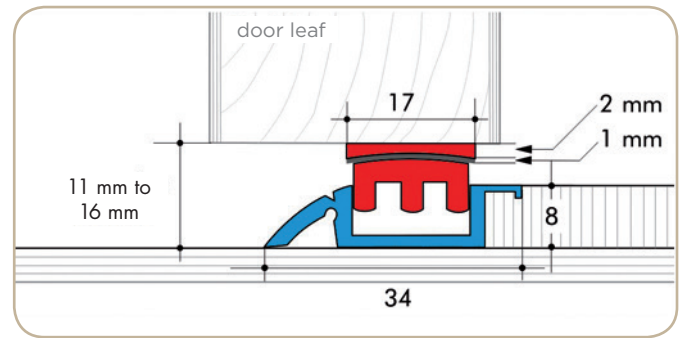
Aluminum profile available in surface design:  
■ silver anodized  
■ bronze

## STANDARD ALUMINUM FLOOR PROFILES

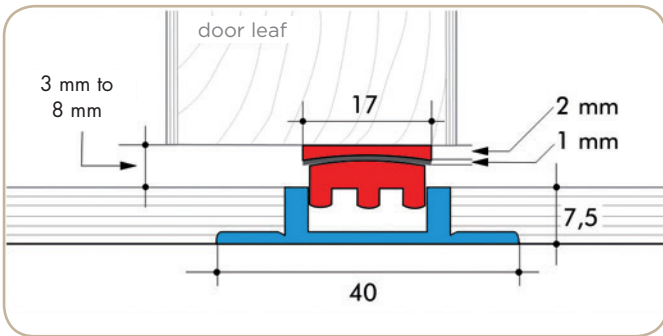
Lugs with predetermined breaking notch for removal



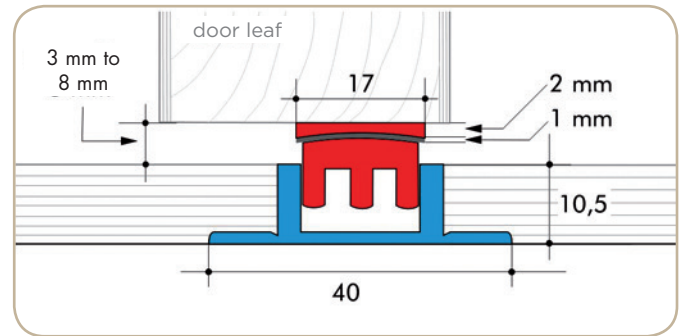
**Model MA 1**  
on the flooring / Magnetic force between upper and lower magnet profile (max. 5 mm)



**Model MA 2**  
on one side of the flooring / Magnetic force between upper and lower magnet profile (max. 5 mm)



**Model MF 1**  
starting from approx. 6 mm flooring / Magnetic force between upper and lower magnet profile (max. 5 mm)



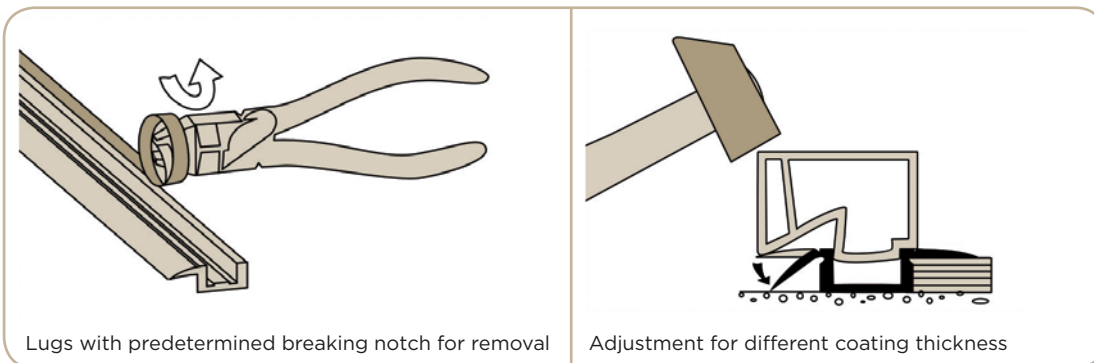
**Model MF 2**  
starting from approx. 9 mm flooring / Magnetic force between upper and lower magnet profile (max. 5 mm)

Aluminum profile available in surface design:

■ silver anodized ■ bronze

## ADJUSTMENT

of the aluminum floor profiles

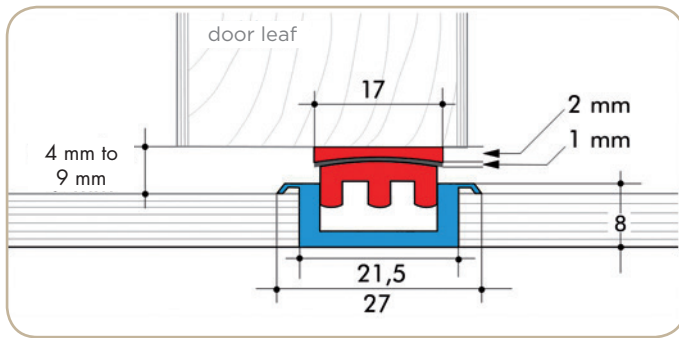


Lugs with predetermined breaking notch for removal

Adjustment for different coating thickness

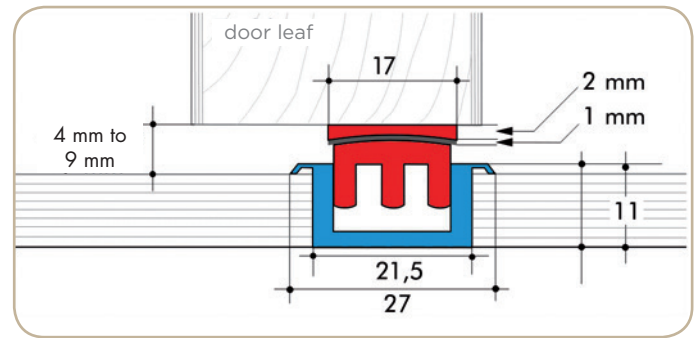
## SPECIAL ALUMINUM FLOOR PROFILES

With aluminum magnet carrier profile Model OMT for soundproofing door



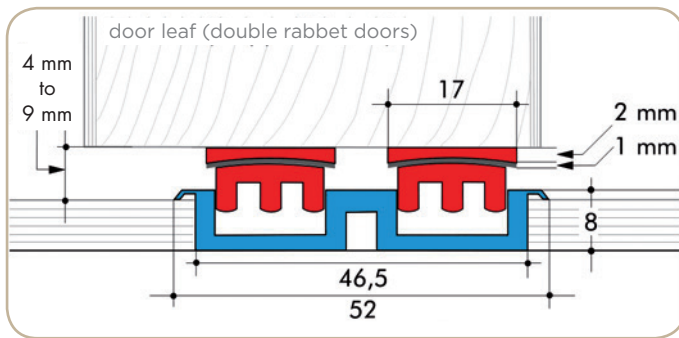
**Model MFS 1**

starting from approx. 6 mm flooring / Magnetic force between upper and lower magnet profile (max. 5 mm)



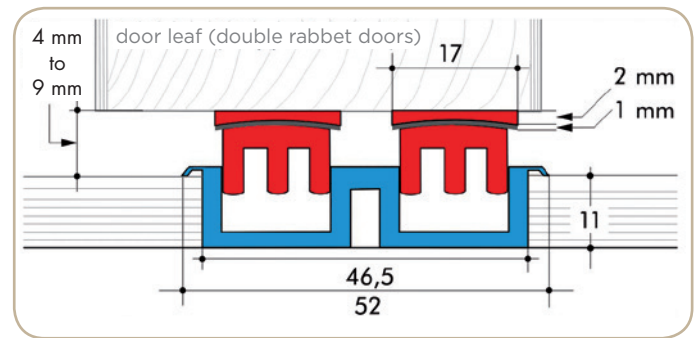
**Model MFS 10**

starting from approx. 9 mm flooring / Magnetic force between upper and lower magnet profile (max. 5 mm)



**Model MFS 2 for double rabbet doors**

starting from approx. 6 mm flooring / Magnetic force between upper and lower magnet profile (max. 5 mm)



**Model MFS 20 for double rabbet doors**

starting from approx. 9 mm flooring  
Magnetic force between upper and lower magnet profile (max. 5 mm). Only available in silver anodized.

**Lengths :** 860 / 985 / 1,110 / 1,235 / 1,360 / 1,735 / 1,860 / 1,985 mm  
Fixed lengths up to 6,000 mm possible

**Colours :** Aluminum profile available in surface design:  
■ EV 1 silver anodized  
■ C 33 bronze anodized

## MAGNET RENOVATION THRESHOLD MGS

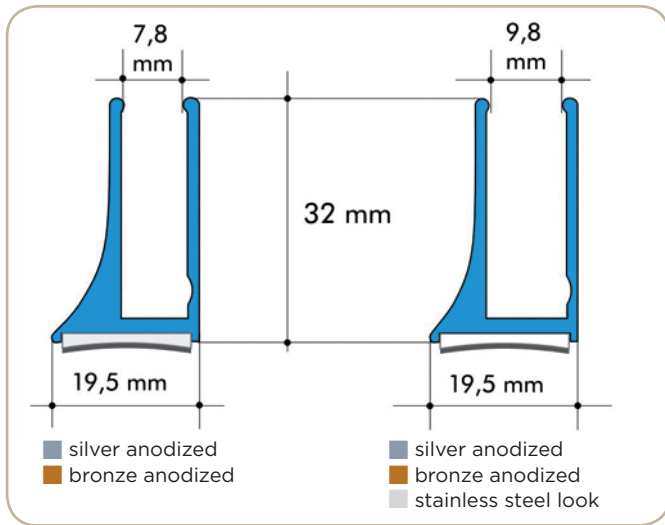


Barrier-free thanks to renovation profile MGS.  
Material: Aluminum.  
Every fixed lengths up to 6,000 mm possible.

## SPECIAL ADD-ON PROFILES

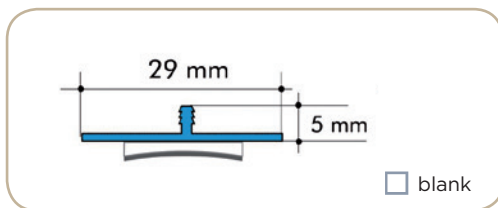
Only in connection with magnet floor profile.

Optimum adhesive fixing of the thin magnetic strips below the aluminum profiles.



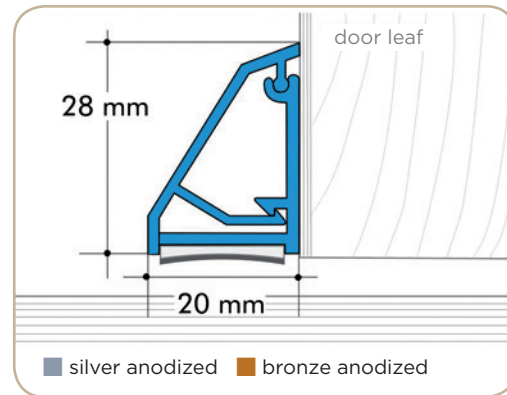
### Model GT 8 and GT 10

for glass doors / Glass distance to the ALUMAT floor profile starting from approx. 7 mm



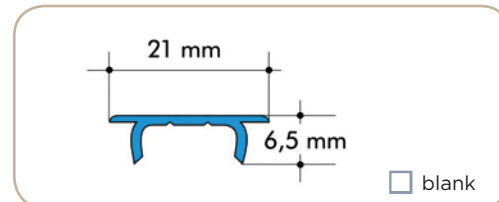
### Model OMT

aluminum magnet carrier profile



### Model MHT

Aluminum weatherboard

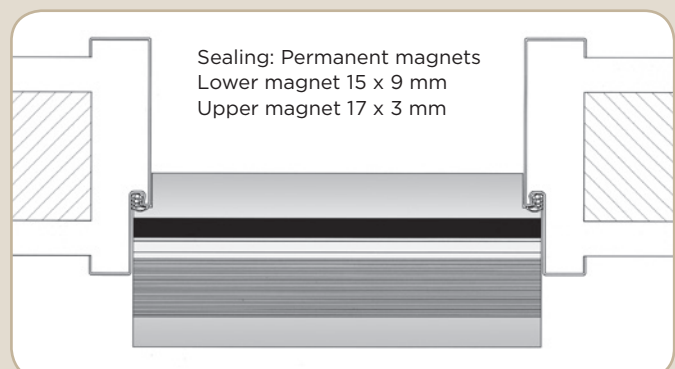
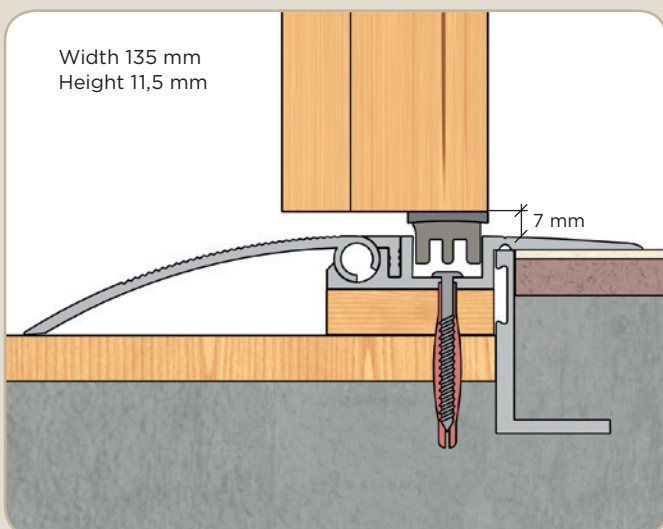


### Model PA

Aluminum profile against construction soiling

The self adhesive upper magnetic stripe is not included in delivery of model GT 8 and GT 10, because this will be delivered with the respective aluminum ground profile.

## FOR INTERNAL DOORS



Height adjustment up to 35 mm through variable jointed threshold. Assembly in the door frame rabbet with two-sided disengagement.

Colour: ■ silver anodized

# INSTALLATION INSTRUCTIONS

1. Always place the ALUMAT magnetic door seals on firm ground.
2. Cut the floor rail to length.
3. Screw the floor rail using dowels, or fix it using construction adhesive.
4. The aluminum magnet profile and the upper magnet strip are equipped lengthwise with opposite magnet poles attracting each other directly. Thus, always insert both magnet profiles above one another (thin magnet profile up) into the floor rail and remove the protective cover from the double adhesive tape. Insert a metal scraper or similar in between both magnet rails, close the door, push up the inserted object against the smooth, cleaned lower door edge and move it back and forth.

5. Unhinge the door, push the thin magnet profile firmly against the lower door edge (for wood doors, additionally fix the magnet strip using nails with a distance of 15-20 cm), cut the magnet strip protruding the door rabbet.

Do not assemble the magnet profiles separately from each other!

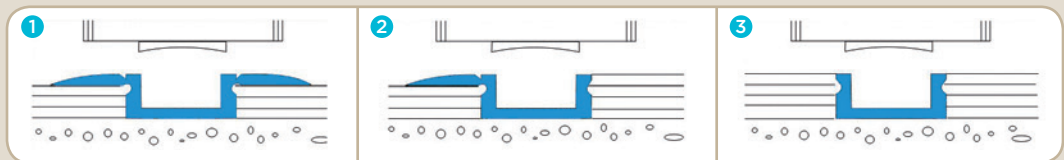
We assume no liability for malfunctions resulting from the inobservance of the assembly instructions.

### Note:

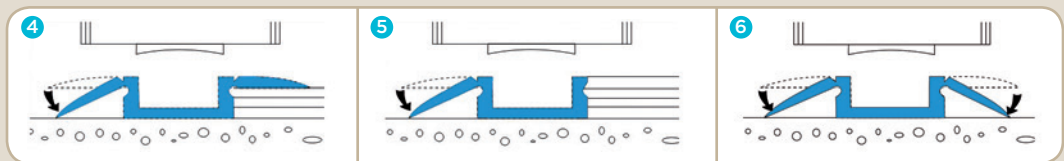
The ALUMAT floor profiles are in part equipped with predetermined breaking notches such that the lugs can be adapted to the respective flooring by removing or knocking the lugs off.

## Installation examples for universal aluminum profiles

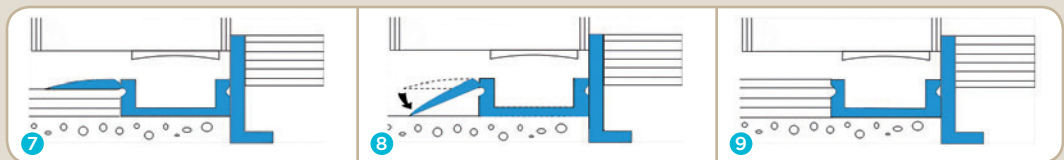
Embedded into the parquet, carpet or tiling.



In case of different flooring level on the flooring



Behind the door stop rail



## ADVERTISEMENT TEXT

### LV. DOORS/DOOR FRAMES

ALUMAT magnetic doors seals

Properly mount the aluminum floor profiles - EV 1 or bronze anodized - and the magnetic door seal profiles acc. to the installation instructions of the manufacturer.

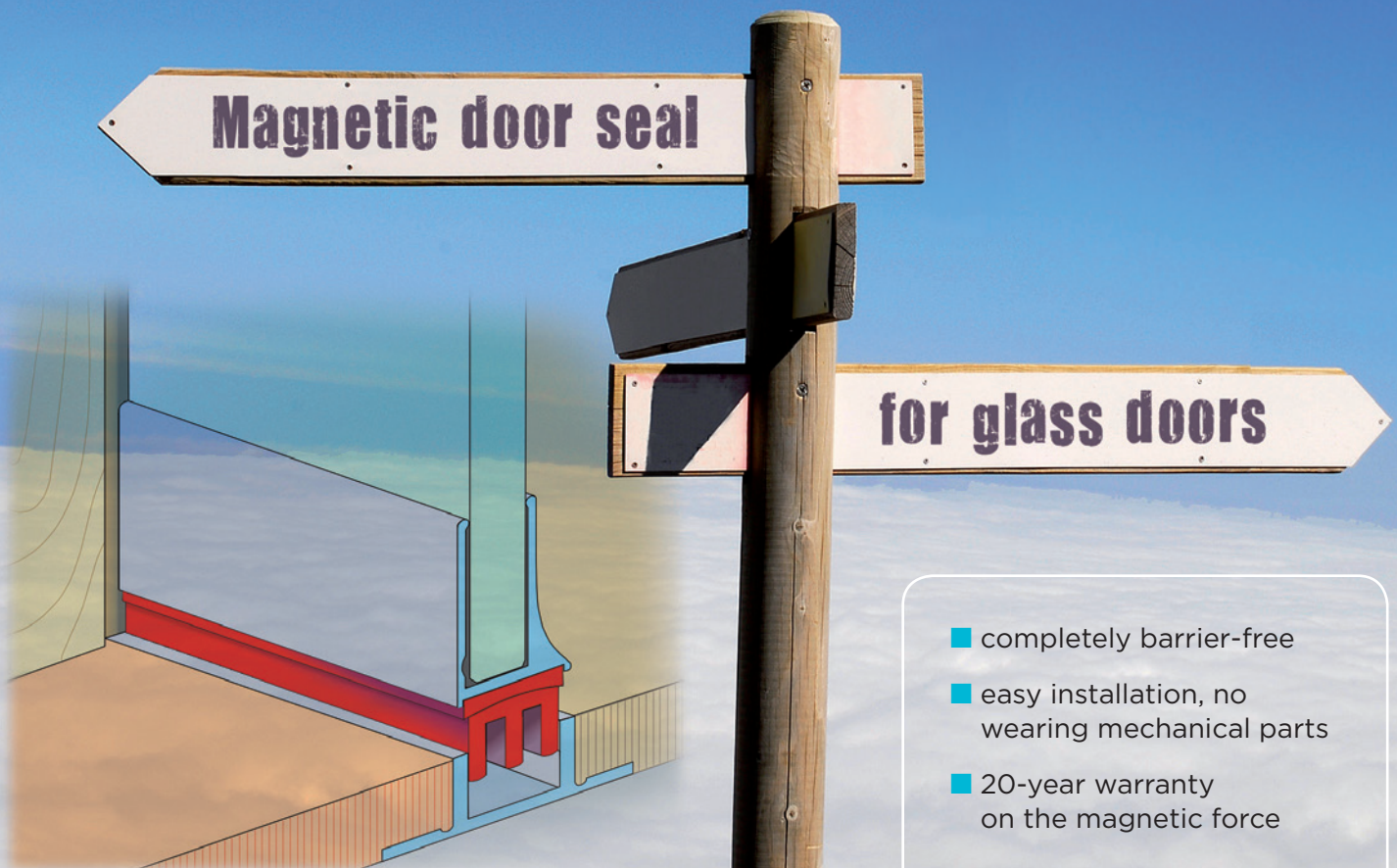
Model: ..... Color: ..... Length/RBM: ..... Quantity: .....

Or

### LV. FLOOR COATINGS (carpet/parquet/natural stone/tiles)

Mount the provided aluminum floor profiles to be installed by the customer for the ALUMAT magnetic door seal by the installer of the door or the door frame or after consulting the construction supervision.

Model: ..... Color: ..... Length/RBM: ..... Quantity: .....

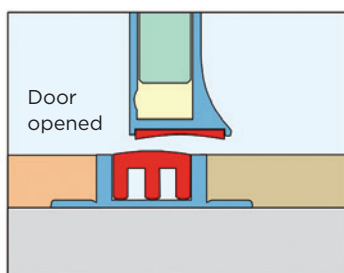


- completely barrier-free
- easy installation, no wearing mechanical parts
- 20-year warranty on the magnetic force

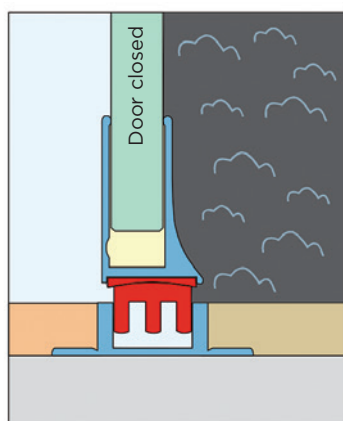
## Magnetic door seal for glass doors

Aluminum floor profiles with continuously rising magnetic threshold and magnetic counter profile for fitting at the aluminum base profile

100% sealing of the common door crack – anywhere where escape routes must remain smoke-free and rooms need much light.



Magnet stays down, the pass is absolutely barrier-free



Magnet goes up and provides perfect sealing

### CERTIFICATES:

ALUMAT door seals for glass doors comply with sound insulation acc. to DIN 52210 residual value 32 dB and smoke control according to DIN 18095

The „VEGLA-SEKURIT“ glass door, which can be used with ALUMAT magnetic seals, was successfully tested regarding preventive fire protection by the Material Testing Office Dortmund according to DIN 18095 Part 1.

- Sound insulation acc. DIN 52210
- Smoke control acc. DIN 18095
- Variable door gap bridging

1. Always place the ALUMAT magnetic door seals on firm ground.
2. Cut the floor rail and the U-profile to length.
3. Apply silicone to the inner sides of the U-profile and fit the U-profile on the unhinged glass door. The clearance for the upper edge of the finished flooring (OFF) and the lower edge of the glass door refer to completely fitted U-profiles. Additionally, the door crack may be bridged. In that case, the clearance between the U-profile and the lower edge of the glass door must additionally be filled with silicone.
4. The aluminum magnet profile and the upper magnet strip are equipped lengthwise with opposite magnet poles attracting each other directly. Thus, the floor rail Model GT 8 or GT 10 is to be installed for glass doors with aluminum profile such that parallel guiding of both magnet profiles is ensured.  
For reasons regarding installation, we recommend using our universal aluminum floor profiles Model MTK 3 and MTK 6.
5. We assume no liability for malfunctions resulting from the inobservance of the assembly instructions.

## ADVERTISEMENT TEXT

### LV. GLASS DOORS/DOOR FRAMES

ALUMAT magnetic door seals

Properly mount the aluminum floor profiles and glass base profiles as well as the magnetic door seal profiles acc. to the installation instructions of the manufacturer.

Model: ..... Color: ..... Length/RBM: ..... Quantity: .....

Oder

### LV. FLOOR COATINGS (carpet/parquet/natural stone/tiles)

Mount the provided aluminum floor profiles to be installed by the customer for the ALUMAT magnetic door seal by the installer of the door or the door frame or after consulting the construction supervision.

Model: ..... Color: ..... Length/RBM: ..... Quantity: .....

**Lengths:** 860 / 985 / 1,110 / 1,235 / 1,360 / 1,735 / 1,860 / 1,985 mm  
Fixed lengths up to 6,000 mm possible

**Colors:** **Glass bottom profiles:**  
EV 1 silver anodized  
C 33 bronze anodized  
Similar to stainless steel  
anodized (for GT 10)

**Aluminum floor profiles:**  
EV 1 silver anodized  
C 33 bronze anodized

DD\_03.2020

