



## ALLDICHT universal threshold BM 30: Securing your home against loss of energy and heat

Stops draft air, cold, rain, vermin, dust etc.

Keeps heat inside the living area, saves energy costs.

**BM 30**

Flexible and universally applicable. Unexcelled permanent sealing effect by means of the highly elastic silicone tubular seal.

Material: Aluminum

Dimensions: W 55 x H 8 mm

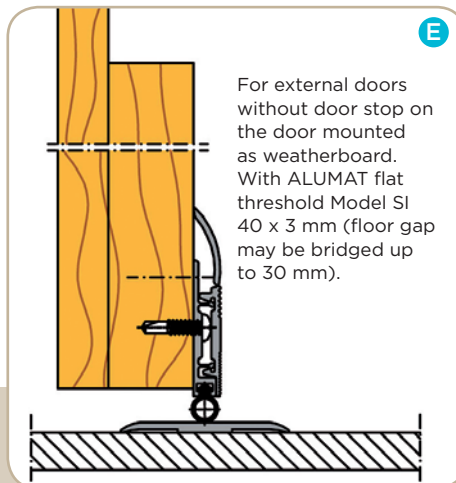
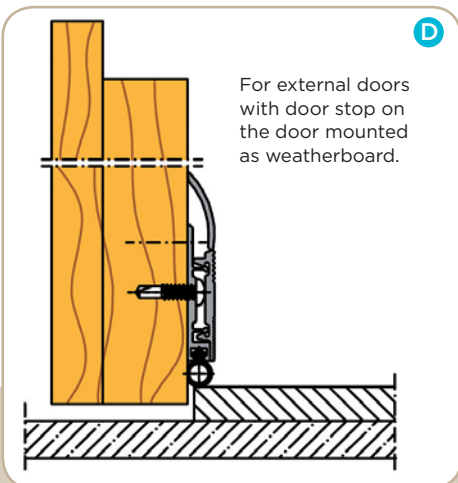
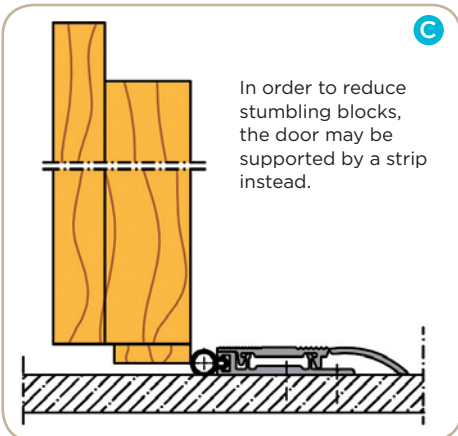
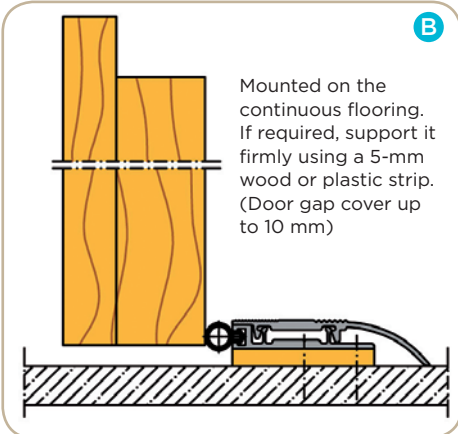
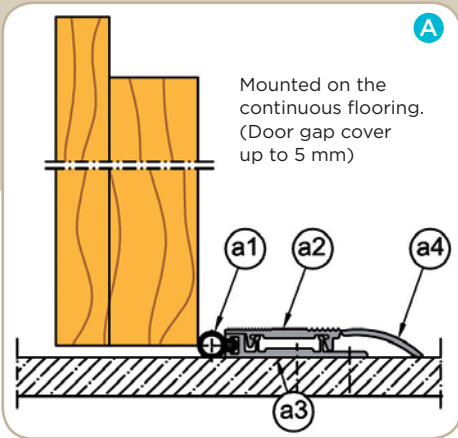
Lengths: up to 6,000 mm (every fixed length available)

Sealing: Silicone

Anodized colored: silver, gold, bronze

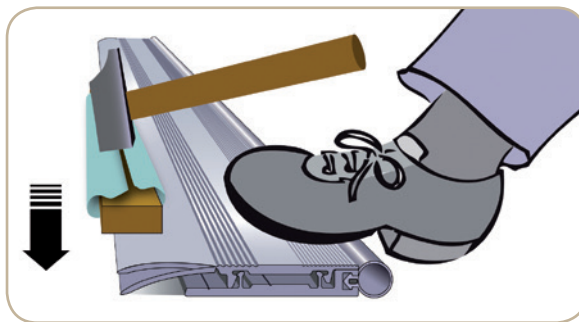
**Also suitable as weatherboard for external doors**

- Resistant against extreme temperatures
- High weather-, ozone and UV resistance
- Quick installation by means of aluminum clip profile cover



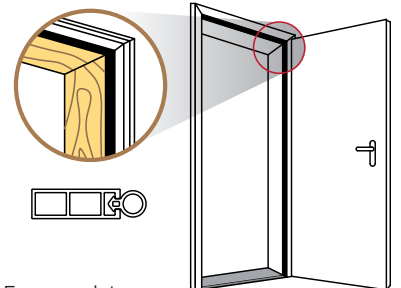
**Assembly instructions:**

1. Thoroughly clean the floor in the fixing area using a cleaning solvent or spirit.
2. Cut the upper part (a2) and the lower part (a3) of the door sealing to the passage dimension. Check the accuracy of fit. Fit the silicone seal (a1).
3. Remove the protective foil from the lower part (a3) and press it against the closed door at the floor using slight pressure.



4. Hammer in the cover profile (a2) and evenly fit the standing end (a4) with a hammer using a hard object wrapped into a cloth.
5. In case of uneven or non-fixable flooring, the lower part (a3) must be plugged to the floor. In doing so, screw holes have to be drilled into the lower part (a3).

Say goodbye to draft air and clacking doors



For complete **surrounding sealing of the door frames** we recommend the self-adhesive, three-sided ALUMAT plastic sealing strips Model ARD with silicon seal (dimension 8 x 28 mm) in connection with the threshold Model BM 30. Colors: white, beige, brown.